

Adjust Tension on Left Monitor Arm

Model MK-100 (*facing monitor stand)



Using a flat head screwdriver, gently pop off the black plastic cap located on the far left side (when you facing the monitor stand. If you are behind the stand, then it would be your far right)



Adjust Tension on Right Monitor Arm

Model MK-100 (*facing monitor stand)



Using a flat head screwdriver, gently pop off the inner black plastic cap located on the right side (when you facing the monitor stand. If you are behind the stand, then it would be your left side)



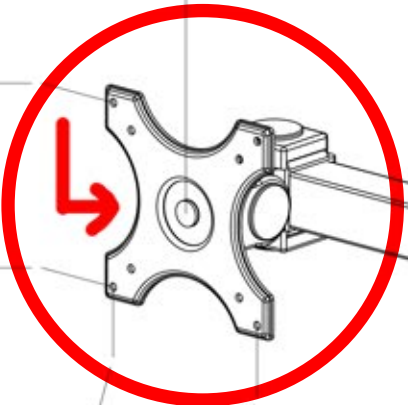
You may use the wrench provided to adjust the tension on the bolt. This will help tighten and stabilize your monitors. When completed, the plastic caps should snap back into place.



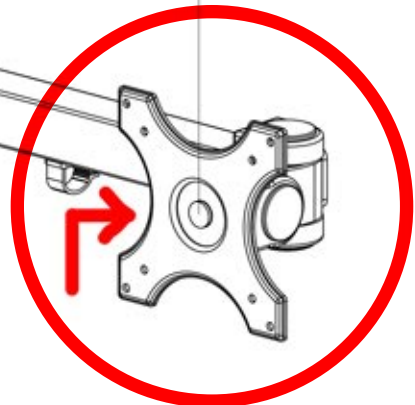
To adjust monitor arm tension, use a flat head screwdriver to pop off black plastic cap
Use provided wrench to adjust bolt

610mm

75-100mm



75-100mm



485mm

340mm

To adjust monitor arm tension, use a flat head screwdriver to pop off black plastic cap
Use provided wrench to adjust bolt

318mm

